



# F.A Traders<sup>®</sup>

"Scientific Solutions"



Sultan Group Pakistan<sup>®</sup>

FA Traders<sup>®</sup>

Headquarter Address: office # 38A, Tariq bin Ziad colony Ludden road, Vehari-61100, Punjab, Pakistan

Email: [sultangroup.org@gmail.com](mailto:sultangroup.org@gmail.com)

Phone: 0333-5014403, 03070883080 (What's App)

Website: <https://sultangroup.org/sultangroup/home/en>

## Lab items



SULTAN GROUP  
مجموعة سلطان

All rights reserved.





# F.A Traders<sup>®</sup>

"Scientific Solutions"



Sultan Group Pakistan<sup>®</sup>

FA Traders<sup>®</sup>

Headquarter Address: office # 38A, Tariq bin Ziad colony Ludden road, Vehari-61100, Punjab, Pakistan

Email: [sultangroup.org@gmail.com](mailto:sultangroup.org@gmail.com)

Phone: 0333-5014403, 03070883080 (What's App)

Website: <https://sultangroup.org/sultangroup/home/en>

Sr.No.	Item Name
1	Floor mount structure workbench
2	C-frame structure workbench
3	H-frame structure lab workbench
4	Floor Mounted Structure
5	C-Frame lab workbench
6	H-frame structure lab workbench
7	Stainless steel workbench
8	H-frame structure lab workbench
9	C-Frame Full Steel Work Bench
10	C-Frame Wood Steel Structure Workbench
11	Floor Mounted Full Steel Work Bench
12	H-frame structure lab workbench
13	Floor mount structure workbench
14	Floor-Mounted Lab Steel Rack
15	Laboratory Flammable Cabinet
16	Laboratory Balance Table
17	Laboratory Balance table Anti-vibration Table
18	BETA Adjustable Strong Load Bearing Metal Lab Chair
19	Laboratory Furniture Type Metal Lab Stool
20	Modern durable lab chair with 5-leg castors
21	Durable polyurethane ESD laboratory chair
22	Customized steel lab stools manufacturer
23	Height adjustable lab chairs with set castors
24	Steel lab stools with wheels
25	Adjustable school lab stools supplier
26	Beta Science Lab Stools with Backs and Footrest
27	All steel walk in fume hood with gas
28	Steel laboratory fume hood
29	laboratory exhaust hood Fume Cupboard
30	PP-Fume-Hood
31	Lab Chemistry Exhaust Fume Hood Manufacture
32	Chemical-Laboratory-Fume-Hood
33	High quality Lab fittings single way water fauce
34	Laboratory Gas Cock Laboratory Gas Valve Gas Pipe Fittings





# F.A Traders<sup>®</sup>

"Scientific Solutions"



Sultan Group Pakistan<sup>®</sup>

FA Traders<sup>®</sup>

Headquarter Address: office # 38A, Tariq bin Ziad colony Ludden road, Vehari-61100, Punjab, Pakistan

Email: sultangroup.org@gmail.com

Phone: 0333-5014403, 03070883080 (What's App)

Website: <https://sultangroup.org/sultangroup/home/en>

## 1. Floor mount structure workbench



### Details.

Structure	Floor Mounted Structure Made of 1.0 / 1.2mm thick cold rolled steel with Epoxy resin coating
Size	Standard size or customized Standard size: L*750(1500)*850mm
Work top (Option)	1.Epoxy Resin (16/19/25mm thick) 2.Phenolic Resin (12.7/13/16/19/20/25mm thick) 3. 304 Stainless Steel work top
Cabinet	Made of 1.0/1.2mm thick cold rolled steel
Handle	Integrated with door and drawer / Plastic / Aluminum alloy
Optional Accessories	
Faucet	Made of Brass with Epoxy resin Powder coating / stainless steel faucet
Sink	PP sink / stainless Steel sink
Gas cock	Made of Brass with Epoxy resin Powder coating / stainless steel faucet
Socket	Different standard socket / spill proof socket
Reagent shelf	Made of 1.2mm thick cold rolled steel and 12mm thick glass customized size





# F.A Traders<sup>®</sup>

"Scientific Solutions"



Sultan Group Pakistan<sup>®</sup>

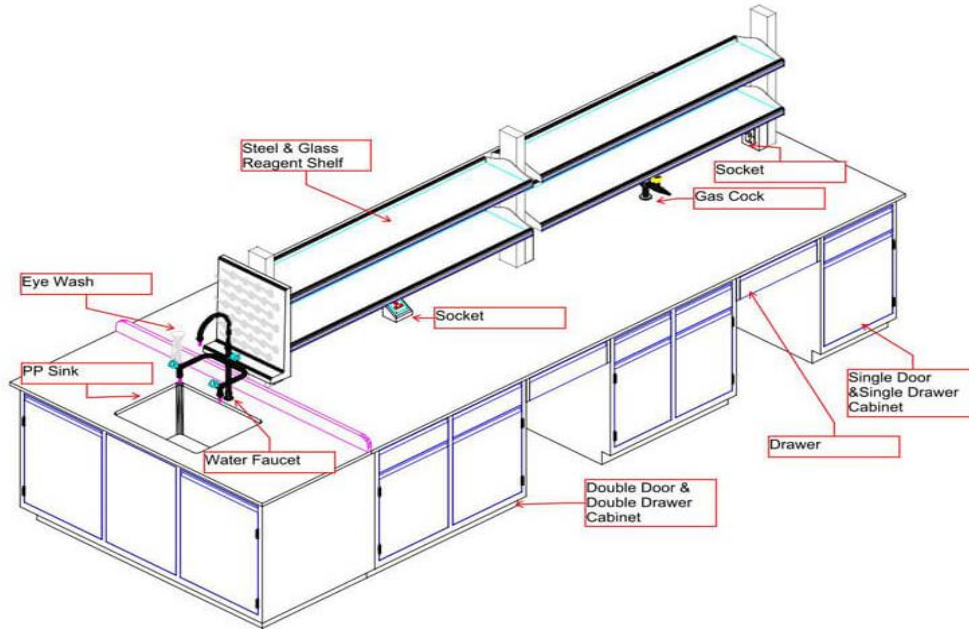
FA Traders<sup>®</sup>

Headquarter Address: office # 38A, Tariq bin Ziad colony Ludden road, Vehari-61100, Punjab, Pakistan

Email: [sultangroup.org@gmail.com](mailto:sultangroup.org@gmail.com)

Phone: 0333-5014403, 03070883080 (What's App)

Website: <https://sultangroup.org/sultangroup/home/en>



## 2. C-frame structure workbench







# F.A Traders®

"Scientific Solutions"



Sultan Group Pakistan®

FA Traders®

Headquarter Address: office # 38A, Tariq bin Ziad colony Ludden road, Vehari-61100, Punjab, Pakistan

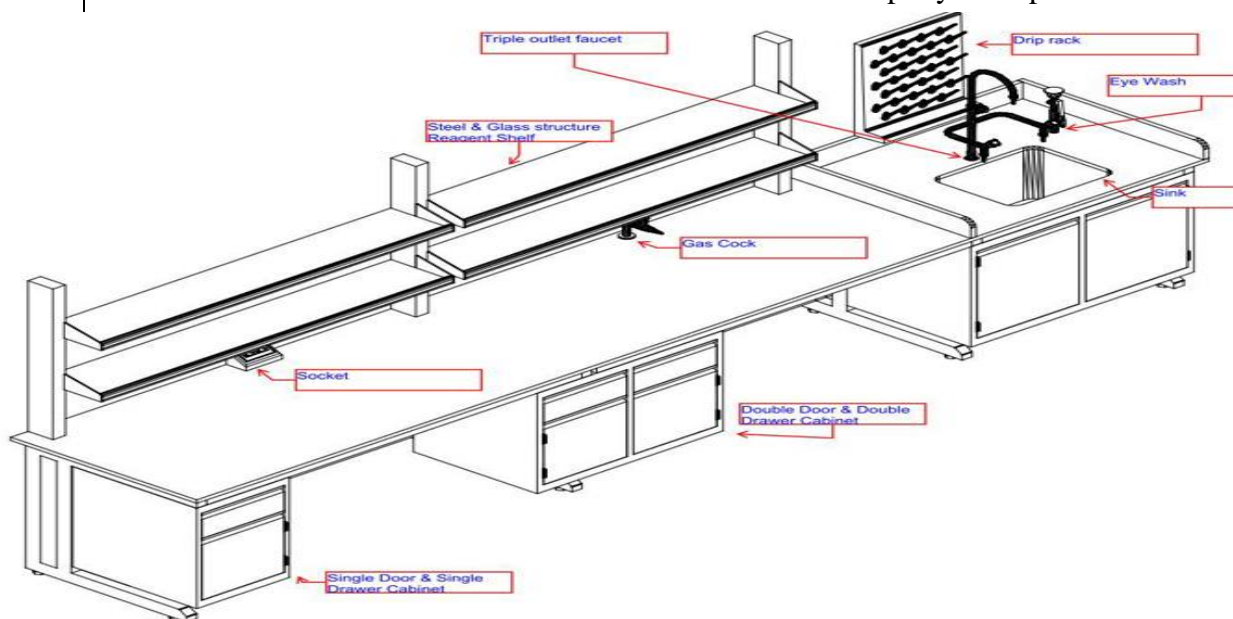
Email: sultangroup.org@gmail.com

Phone: 0333-5014403, 03070883080 (What's App)

Website: <https://sultangroup.org/sultangroup/home/en>

## Details

Structure	C-Frame Steel-Wood Workstation Steel framework, Fashion style with simple installation and flexible budget
Custom-made	Dimension & Color
Worktop	1.Epoxide Resin (16/19/25mm thick) 2.Phenolic Resin (12.7/13/16/19/20/25mm thick) 3. 304 Stainless Steel work top
Cabinet	-Cabinet are made of 18mm E1 GRADF MDF facing with melamine and edging with 2mm high quality PVC.
Handles	Integrated with door and drawer
Accessories (available)	
Faucet	Brass body with ceramic valve core coated with epoxy resin powder.
Sink	PP sink;ceramic sink; epoxy resin sink; 304 stainless steel
Socket	Electric sockets, electrical trunking made of PVC and anchored to the shelf vertical supports
Drip rack	Drip rack can be made in different shapes and material depending on their location and task.
Reagent She	The shelves are made of 1.2mm cold-rolled steel coated with epoxy resin powder.





### 3. H-frame structure lab workbench



#### Details

Structure	H-Frame Structure Made of 1.5mm thick cold rolled steel with Epoxy resin coating
Size	Standard size or customized Standard size: L*750(1500)*850mm
Work top (Option)	1.Epoxy Resin (16/19/25mm thick) 2.Phenolic Resin (12.7/13/16/19/20/25mm thick) 3. 304 Stainless Steel work top
Cabinet	Made of 1.0/1.2mm thick cold rolled steel
Handle	Integrated with door and drawer / Plastic / Aluminum alloy
Optional Accessories	
Faucet	Made of Brass with Epoxy resin Powder coating / stainless steel faucet
Sink	PP sink / stainless Steel sink
Gas cock	Made of Brass with Epoxy resin Powder coating / stainless steel faucet
Socket	Different standard socket / spill proof socket
Reagent shelf	Made of 1.2mm thick cold rolled steel and 12mm thick glass customized size



# F.A Traders<sup>®</sup>

"Scientific Solutions"



Sultan Group Pakistan<sup>®</sup>

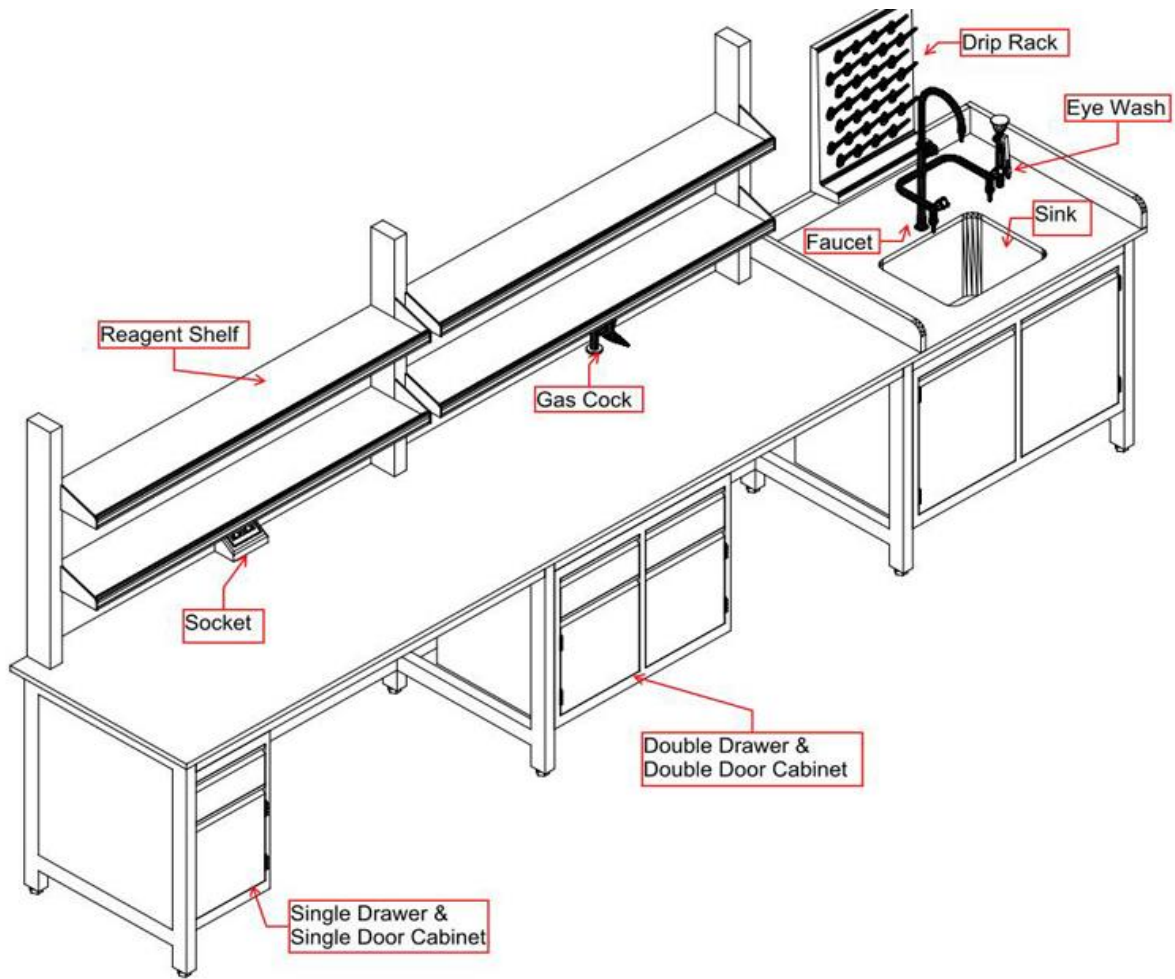
FA Traders<sup>®</sup>

Headquarter Address: office # 38A, Tariq bin Ziad colony Ludden road, Vehari-61100, Punjab, Pakistan

Email: [sultangroup.org@gmail.com](mailto:sultangroup.org@gmail.com)

Phone: 0333-5014403, 03070883080 (What's App)

Website: <https://sultangroup.org/sultangroup/home/en>







## 4. Floor Mounted Structure



### Details

Work top (Option)	1. Epoxide resin (16mm / 19mm / 25mm thick) 2. Phenolic Resin (12.7mm / 13mm / 16mm / 19mm / 20mm / 25mm thick)
Frame Structure(C&H)	Made of 1.5mm thick cold rolled steel, with chemical-resistant powder coating
Cabinet	Made of 1.0mm thick cold rolled steel, with chemical-resistant powder coating available in many colors

Faucet	Different types faucets made of Brass with Epoxide resin powder coating / Stainless Steel faucet
Sink	PP sink / Stainless Steel Sink
Drip rack	PP Drip rack
Eye wash	Single head / double head eye wash
Gas cock	Different types cocks made of Brass with Epoxide resin powder coating
Socket	Different standard socket / spill proof socket can be install on the work top / reagent shelf / the bottom of the work bench
Reagent shelf	Constituted by 1.2mm thick cold rolled steel structure and 12mm thick glass layer sheet, standard size is L*400W*800H (mm)(island bench) / L*250W*800H (mm)(wall bench) , can be customized
Service column	Made of 1.2mm thick cold rolled steel





## 5. C-Frame lab workbench



### Details

Faucet	Different types faucets made of Brass with Epoxide resin powder coating / Stainless Steel faucet
Sink	PP sink / Stainless Steel Sink
Drip rack	PP Drip rack
Eye wash	Single head / double head eye wash
Gas cock	Different types cocks made of Brass with Epoxide resin powder coating
Socket	Different standard socket / spill proof socket can be install on the work top / reagent shelf / the bottom of the work bench
Reagent shelf	Constituted by 1.2mm thick cold rolled steel structure and 12mm thick glass layer sheet, standard size is L*400W*800H (mm)(island bench) / L*250W*800H (mm)(wall bench) , can be customized
Service column	Made of 1.2mm thick cold rolled steel



## 6. H-frame structure lab workbench



### Details

Structure	H-Frame Structure Made of 1.5mm thick cold rolled steel with Epoxy resin coating
Size	Standard size or customized Standard size: L*750(1500)*850mm
Work top (Option)	1.Epoxy Resin (16/19/25mm thick) 2.Phenolic Resin (12.7/13/16/19/20/25mm thick) 3. 304 Stainless Steel work top
Cabinet	Made of 1.0/1.2mm thick cold rolled steel
Handle	Integrated with door and drawer / Plastic / Aluminum alloy
Optional Accessories	
Faucet	Made of Brass with Epoxy resin Powder coating / stainless steel faucet
Sink	PP sink / stainless Steel sink
Gas cock	Made of Brass with Epoxy resin Powder coating / stainless steel faucet
Socket	Different standard socket / spill proof socket
Reagent shelf	Made of 1.2mm thick cold rolled steel and 12mm thick glass customized size



# F.A Traders<sup>®</sup>

"Scientific Solutions"



Sultan Group Pakistan<sup>®</sup>

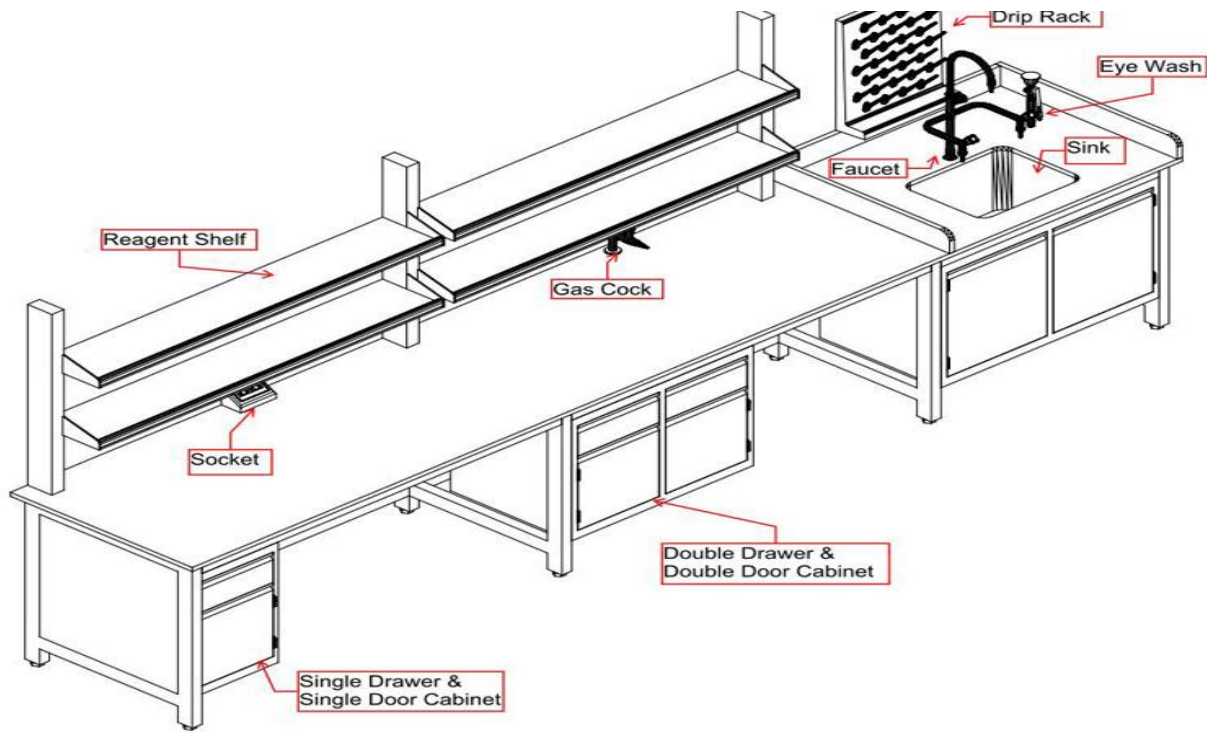
FA Traders<sup>®</sup>

Headquarter Address: office # 38A, Tariq bin Ziad colony Ludden road, Vehari-61100, Punjab, Pakistan

Email: [sultangroup.org@gmail.com](mailto:sultangroup.org@gmail.com)

Phone: 0333-5014403, 03070883080 (What's App)

Website: <https://sultangroup.org/sultangroup/home/en>



## 7. Stainless steel workbench







# F.A Traders<sup>®</sup>

"Scientific Solutions"



Sultan Group Pakistan<sup>®</sup>

FA Traders<sup>®</sup>

Headquarter Address: office # 38A, Tariq bin Ziad colony Ludden road, Vehari-61100, Punjab, Pakistan

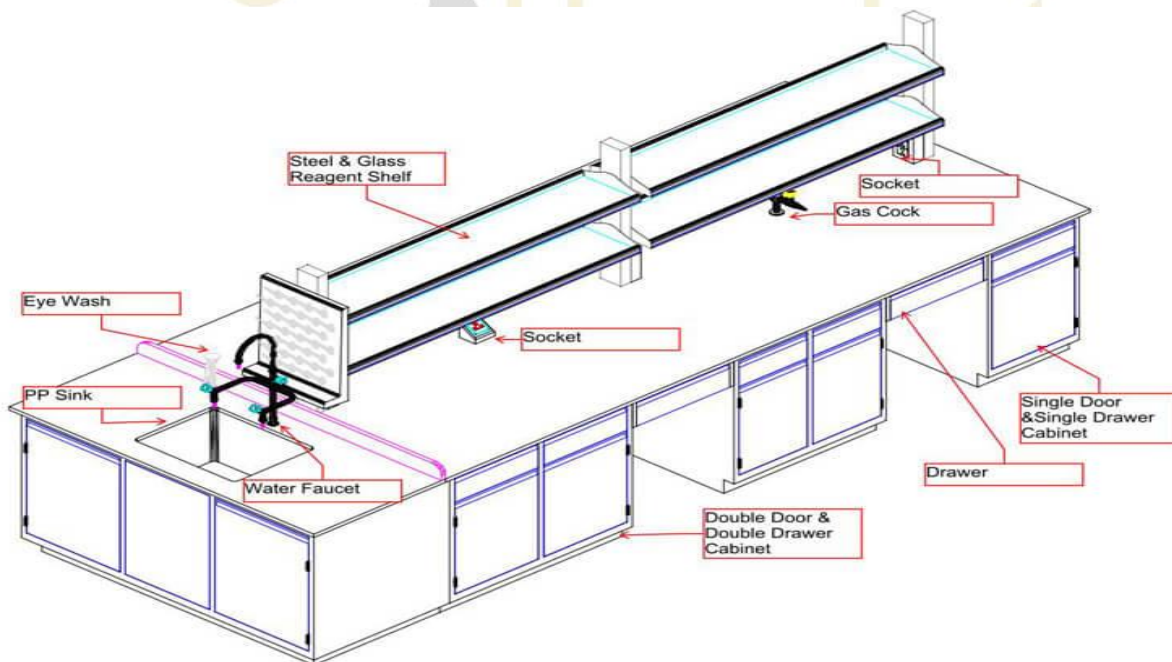
Email: [sultangroup.org@gmail.com](mailto:sultangroup.org@gmail.com)

Phone: 0333-5014403, 03070883080 (What's App)

Website: <https://sultangroup.org/sultangroup/home/en>

## Details

Structure	Floor Mounted Full 304 Stainless Steel Workstation Full 304 Stainless Steel framework, Traditional design with roomy storage space
Custom-made	Dimension
In general, all materials shall be the best of their respective kinds for the intended purpose. Stainless steel sheet shall be prime grade, roller leveled, and shall be treated at the mill to be free of scale, ragged edges, deep scratches or other injurious effects of type 304 with a number four finish.	
Handles	304 stainless steel
Accessories (available)	
Faucet	Brass body with ceramic valve core coated with epoxy resin powder.
Sink	304 stainless steel; PP sink; ceramic sink; epoxy resin sink;
Socket	Electric sockets, electrical trunking made of PVC and anchored to the shelf vertical supports
Drip rack	Drip rack can be made in different shapes and material depending on their location and task.
Reagent Shelf	The shelves are made of 304 stainless steel or 1.2mm cold-rolled steel coated with epoxy resin powder.







# F.A Traders<sup>®</sup>

"Scientific Solutions"



Sultan Group Pakistan<sup>®</sup>

FA Traders<sup>®</sup>

Headquarter Address: office # 38A, Tariq bin Ziad colony Ludden road, Vehari-61100, Punjab, Pakistan

Email: [sultangroup.org@gmail.com](mailto:sultangroup.org@gmail.com)

Phone: 0333-5014403, 03070883080 (What's App)

Website: <https://sultangroup.org/sultangroup/home/en>

## 8. H-frame structure lab workbench



Details

Structure	H-Frame Structure Made of 1.5mm thick cold rolled steel with Epoxy resin coating
Size	Standard size or customized Standard size: L*750(1500)*850mm
Work top (Option)	1.Epoxy Resin (16/19/25mm thick) 2.Phenolic Resin (12.7/13/16/19/20/25mm thick) 3. 304 Stainless Steel work top
Cabinet	Made of 1.0/1.2mm thick cold rolled steel
Handle	Integrated with door and drawer / Plastic / Aluminum alloy
Optional Accessories	
Faucet	Made of Brass with Epoxy resin Powder coating / stainless steel faucet
Sink	PP sink / stainless Steel sink
Gas cock	Made of Brass with Epoxy resin Powder coating / stainless steel faucet
Socket	Different standard socket / spill proof socket
Reagent shelf	Made of 1.2mm thick cold rolled steel and 12mm thick glass customized size





# F.A Traders<sup>®</sup>

"Scientific Solutions"



Sultan Group Pakistan<sup>®</sup>

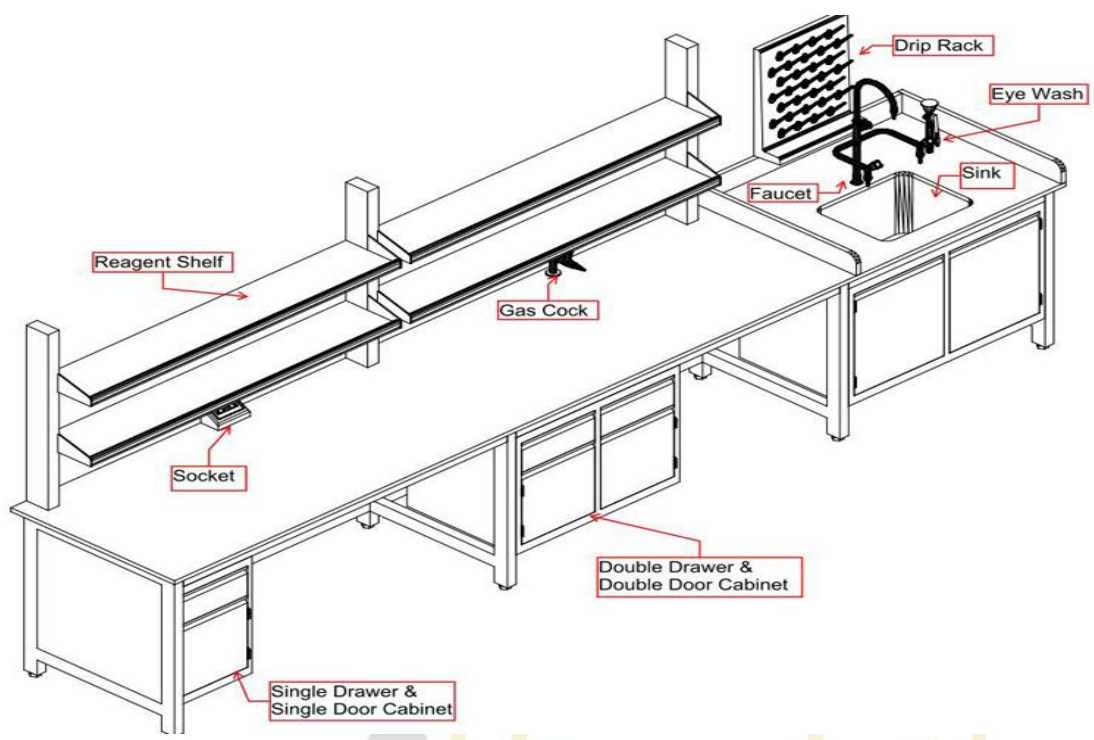
FA Traders<sup>®</sup>

Headquarter Address: office # 38A, Tariq bin Ziad colony Ludden road, Vehari-61100, Punjab, Pakistan

Email: [sultangroup.org@gmail.com](mailto:sultangroup.org@gmail.com)

Phone: 0333-5014403, 03070883080 (What's App)

Website: <https://sultangroup.org/sultangroup/home/en>



## 9. C-Frame Full Steel Work Bench





# F.A Traders<sup>®</sup>

"Scientific Solutions"



Sultan Group Pakistan<sup>®</sup>

FA Traders<sup>®</sup>

Headquarter Address: office # 38A, Tariq bin Ziad colony Ludden road, Vehari-61100, Punjab, Pakistan

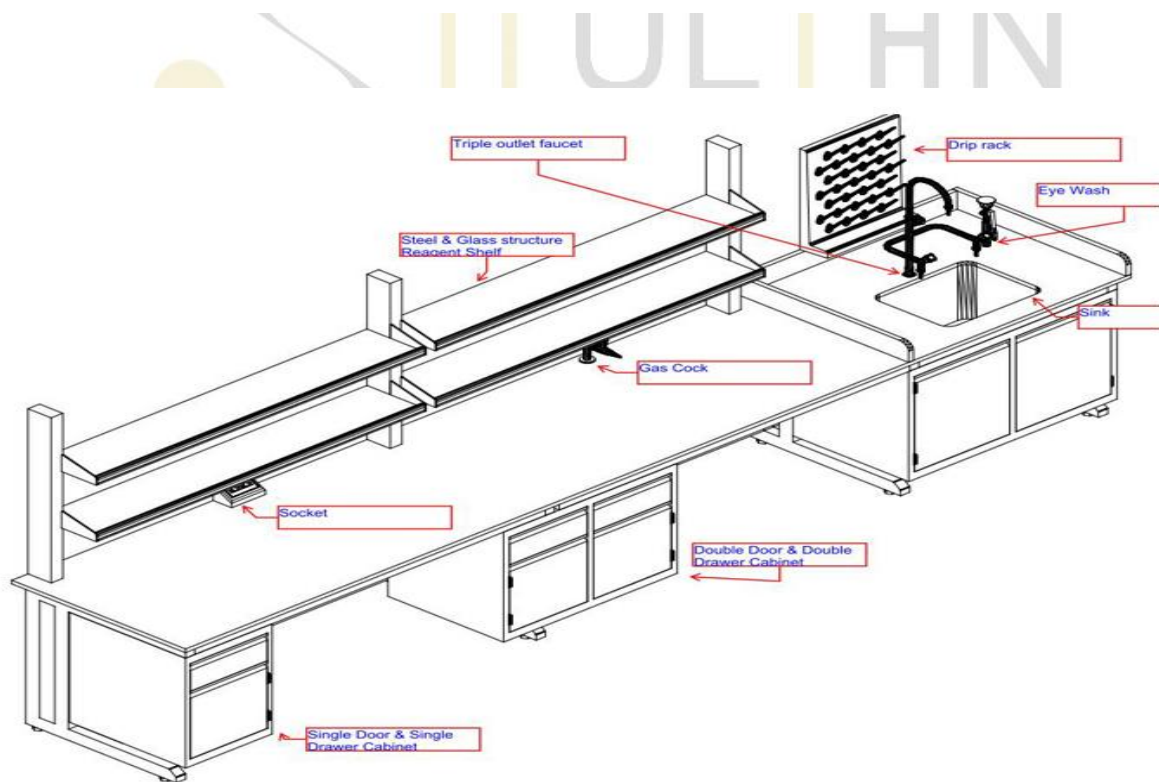
Email: sultangroup.org@gmail.com

Phone: 0333-5014403, 03070883080 (What's App)

Website: <https://sultangroup.org/sultangroup/home/en>

## Details

Size	Standard size or customized    Standard size: L*750(1500)*850mm
Work top (Option)	1.Epoxy Resin (16/19/25mm thick) 2.Phenolic Resin (12.7/13/16/19/20/25mm thick) 3. 304 Stainless Steel work top
Cabinet	Made of 1.0/1.2mm thick cold rolled steel
Handle	Integrated with door and drawer / Plastic / Aluminum alloy
Optional Accessories	
Faucet	Made of Brass with Epoxy resin Powder coating / stainless steel faucet
Sink	PP sink / stainless Steel sink
Gas cock	Made of Brass with Epoxy resin Powder coating / stainless steel faucet
Socket	Different standard socket / spill proof socket
Reagent shelf	Made of 1.2mm thick cold rolled steel and 12mm thick glass    customized size







## 10. C-Frame Wood Steel Structure Workbench



### Details,

Structure	C-Frame Steel-Wood Workstation Steel framework, Fashion style with simple installation and flexible budget
Custom-made	Dimension & Color
Worktop	1.Epoxy Resin (16/19/25mm thick) 2.Phenolic Resin (12.7/13/16/19/20/25mm thick) 3. 304 Stainless Steel work top
Cabinet	-Cabinet are made of 18mm E1 GRADF MDF facing with melamine and edging with 2mm high quality PVC.
Handles	Integrated with door and drawer
Accessories	( available )
Faucet	Brass body with ceramic valve core coated with epoxy resin powder.
Sink	PP sink;ceramic sink; epoxy resin sink; 304 stainless steel
Socket	Electric sockets, electrical trunking made of PVC and anchored to the shelf vertical supports
Drip rack	Drip rack can be made in different shapes and material depending on their location and task.
Reagent Shelf	The shelves are made of 1.2mm cold-rolled steel coated with epoxy resin powder.





**F.A Traders<sup>®</sup>**  
"Scientific Solutions"



**Sultan Group Pakistan<sup>®</sup>**

**FA Traders<sup>®</sup>**

**Headquarter Address:** office # 38A, Tariq bin Ziad colony Ludden road, Vehari-61100, Punjab, Pakistan

**Email:** sultangroup.org@gmail.com

**Phone:** 0333-5014403, 03070883080 (What's App)

**Website:** <https://sultangroup.org/sultangroup/home/en>

## 11. Floor Mounted Full Steel Work Bench



SULTAN GROUP  
مجموعة سلطان





# F.A Traders<sup>®</sup>

"Scientific Solutions"



Sultan Group Pakistan<sup>®</sup>

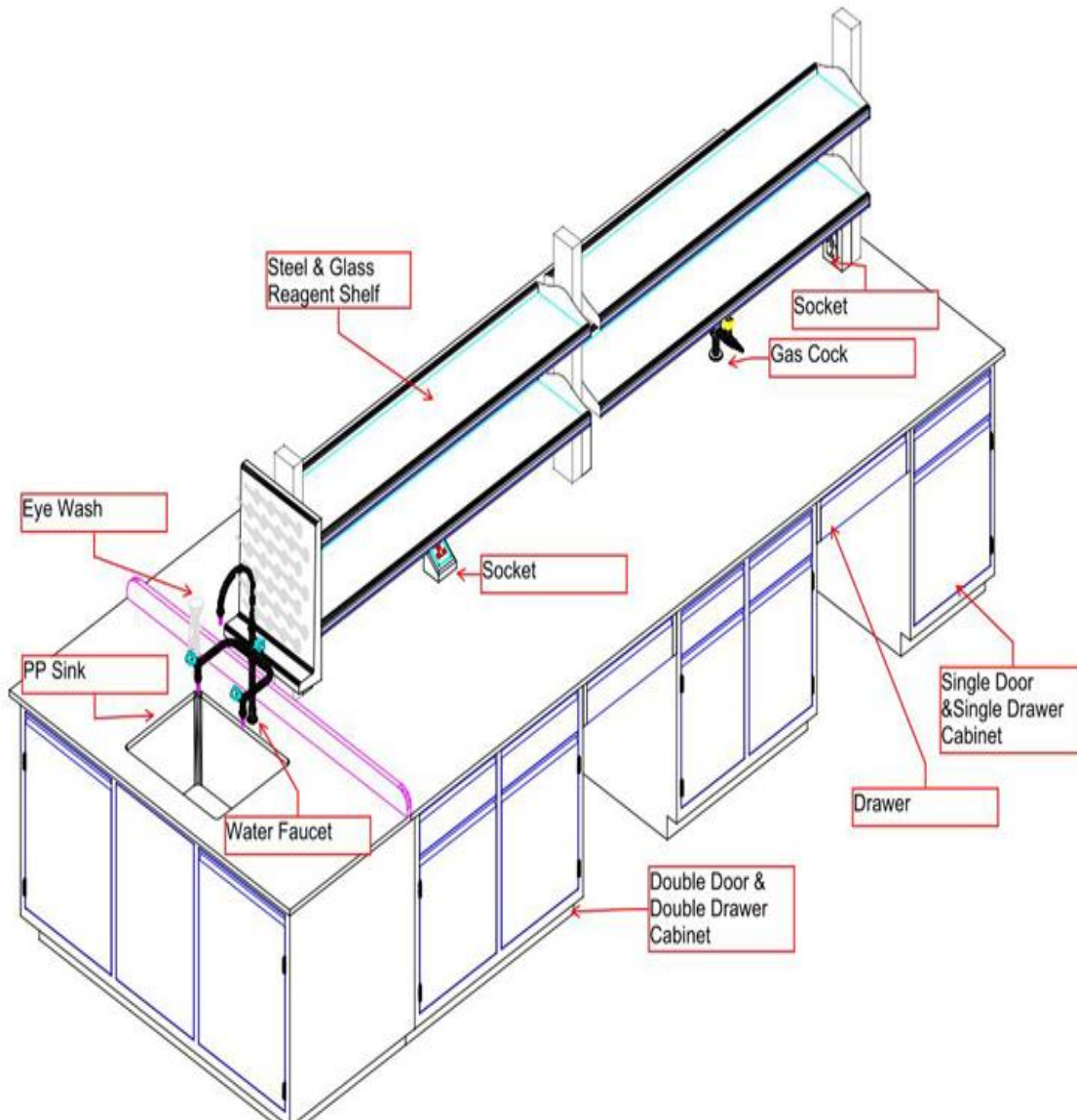
FA Traders<sup>®</sup>

Headquarter Address: office # 38A, Tariq bin Ziad colony Ludden road, Vehari-61100, Punjab, Pakistan

Email: [sultangroup.org@gmail.com](mailto:sultangroup.org@gmail.com)

Phone: 0333-5014403, 03070883080 (What's App)

Website: <https://sultangroup.org/sultangroup/home/en>





# F.A Traders<sup>®</sup>

"Scientific Solutions"



Sultan Group Pakistan<sup>®</sup>

FA Traders<sup>®</sup>

Headquarter Address: office # 38A, Tariq bin Ziad colony Ludden road, Vehari-61100, Punjab, Pakistan

Email: [sultangroup.org@gmail.com](mailto:sultangroup.org@gmail.com)

Phone: 0333-5014403, 03070883080 (What's App)

Website: <https://sultangroup.org/sultangroup/home/en>

## 12 H-frame structure lab workbench



### Details

Structure	H-Frame Structure Made of 1.5mm thick cold rolled steel with Epoxy resin coating
Size	Standard size or customized Standard size: L*750(1500)*850mm
Work top (Option)	1.Epoxy Resin (16/19/25mm thick) 2.Phenolic Resin (12.7/13/16/19/20/25mm thick) 3. 304 Stainless Steel work top
Cabinet	Made of 1.0/1.2mm thick cold rolled steel
Handle	Integrated with door and drawer / Plastic / Aluminum alloy
Optional Accessories	
Faucet	Made of Brass with Epoxy resin Powder coating / stainless steel faucet
Sink	PP sink / stainless Steel sink
Gas cock	Made of Brass with Epoxy resin Powder coating / stainless steel faucet
Socket	Different standard socket / spill proof socket
Reagent shelf	Made of 1.2mm thick cold rolled steel and 12mm thick glass customized size







# F.A Traders<sup>®</sup>

"Scientific Solutions"



Sultan Group Pakistan<sup>®</sup>

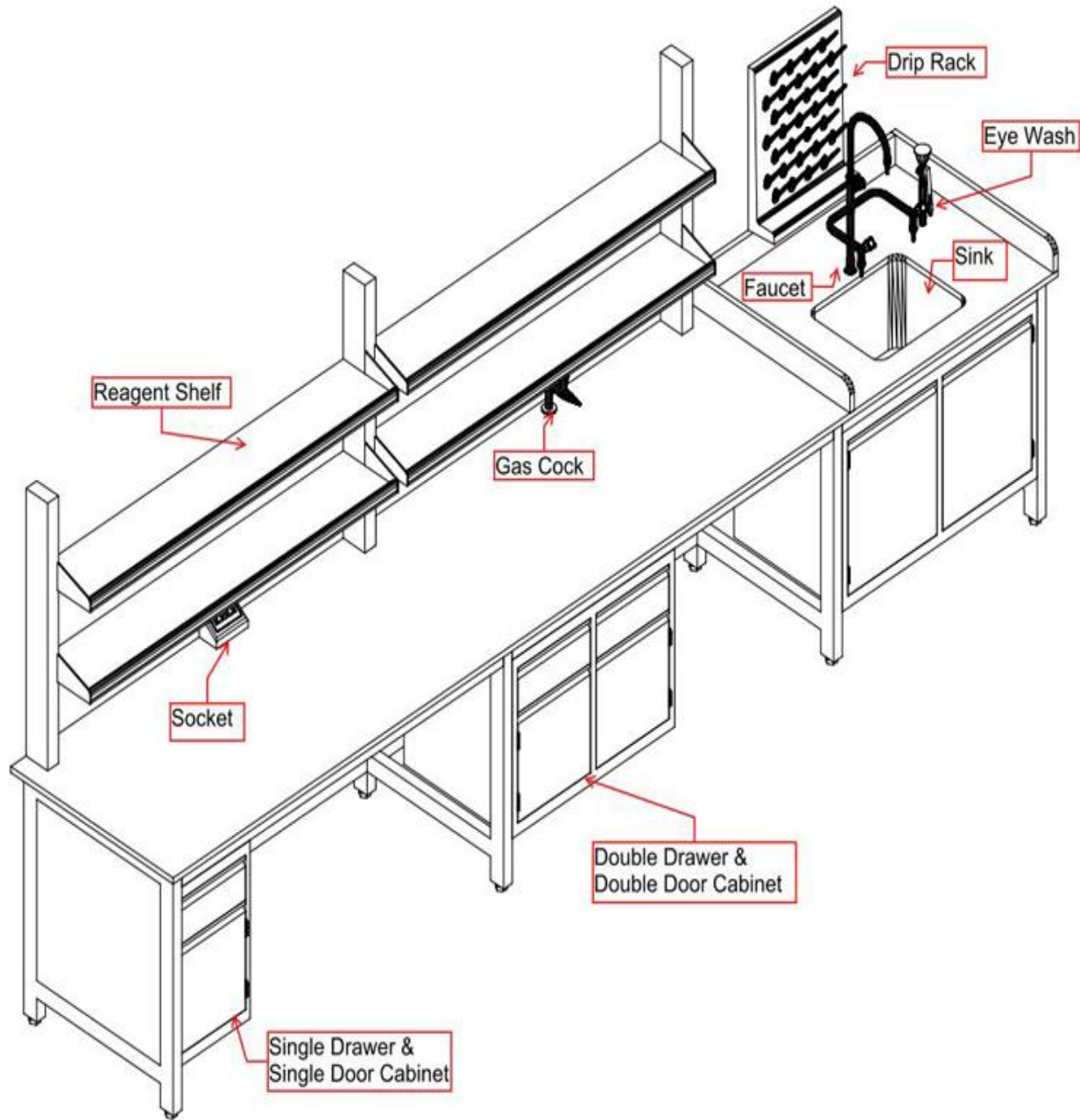
FA Traders<sup>®</sup>

Headquarter Address: office # 38A, Tariq bin Ziad colony Ludden road, Vehari-61100, Punjab, Pakistan

Email: [sultangroup.org@gmail.com](mailto:sultangroup.org@gmail.com)

Phone: 0333-5014403, 03070883080 (What's App)

Website: <https://sultangroup.org/sultangroup/home/en>







# F.A Traders<sup>®</sup>

"Scientific Solutions"



Sultan Group Pakistan<sup>®</sup>

FA Traders<sup>®</sup>

Headquarter Address: office # 38A, Tariq bin Ziad colony Ludden road, Vehari-61100, Punjab, Pakistan

Email: [sultangroup.org@gmail.com](mailto:sultangroup.org@gmail.com)

Phone: 0333-5014403, 03070883080 (What's App)

Website: <https://sultangroup.org/sultangroup/home/en>

### 13. Floor mount structure workbench



Details

苏丹集团

Structure	Floor Mounted Full Wood Workstation Full wood framework, Traditional design with roomy storage space
Custom-made	Dimension & Color
Worktop	1.Epoxide Resin (16/19/25mm thick) 2.Phenolic Resin (12.7/13/16/19/20/25mm thick) 3. 304 Stainless Steel work top
Cabinet	-Cabinet are made of 18mm E1 GRADF MDF facing with melamine and edging with 2mm high quality PVC.
Handles	Integrated with door and drawer
Accessories (available)	
Faucet	Brass body with ceramic valve core coated with epoxy resin powder.
Sink	PP sink;ceramic sink; epoxy resin sink; 304 stainless steel
Socket	Electric sockets, electrical trunking made of PVC and anchored to the shelf vertical supports
Drip rack	Drip cups can be made in different shapes and material depending on their location and task.
Reagent Shelf	The shelves are made of 1.2mm cold-rolled steel coated with epoxy resin powder.





# F.A Traders<sup>®</sup>

"Scientific Solutions"



Sultan Group Pakistan<sup>®</sup>

FA Traders<sup>®</sup>

Headquarter Address: office # 38A, Tariq bin Ziad colony Ludden road, Vehari-61100, Punjab, Pakistan

Email: [sultangroup.org@gmail.com](mailto:sultangroup.org@gmail.com)

Phone: 0333-5014403, 03070883080 (What's App)

Website: <https://sultangroup.org/sultangroup/home/en>

## 14. Floor-Mounted Lab Steel Rack



苏丹集团  
SULTAN GROUP

## 15. Laboratory Flammable Cabinet



سولطان  
SULTAN GROUP  
مجموعة سولطان





# F.A Traders<sup>®</sup>

"Scientific Solutions"



Sultan Group Pakistan<sup>®</sup>

FA Traders<sup>®</sup>

Headquarter Address: office # 38A, Tariq bin Ziad colony Ludden road, Vehari-61100, Punjab, Pakistan

Email: [sultangroup.org@gmail.com](mailto:sultangroup.org@gmail.com)

Phone: 0333-5014403, 03070883080 (What's App)

Website: <https://sultangroup.org/sultangroup/home/en>

### Specification:

Material: 1.0mm galvanized steel coated with epoxy resin powder, double layer structure

Color: Yellow color or customized

Dimension: 1090\*450\*1650mm/ customized

Doors: Sound proofing with double skin construction

Handle: Inset handle with lock

Hinge: 165° opening angle

Shelves: 1-3 shelves for the entire cabinet width; up to 9 shelves per cabinet possible

Load bearing capacity: 50 kg

Lock (optional): Locking system with lock cylinder (glass sliding doors without lock cylinder)



SULTAN GROUP  
مجموعة سلطان







# F.A Traders<sup>®</sup>

"Scientific Solutions"



Sultan Group Pakistan<sup>®</sup>

FA Traders<sup>®</sup>

Headquarter Address: office # 38A, Tariq bin Ziad colony Ludden road, Vehari-61100, Punjab, Pakistan

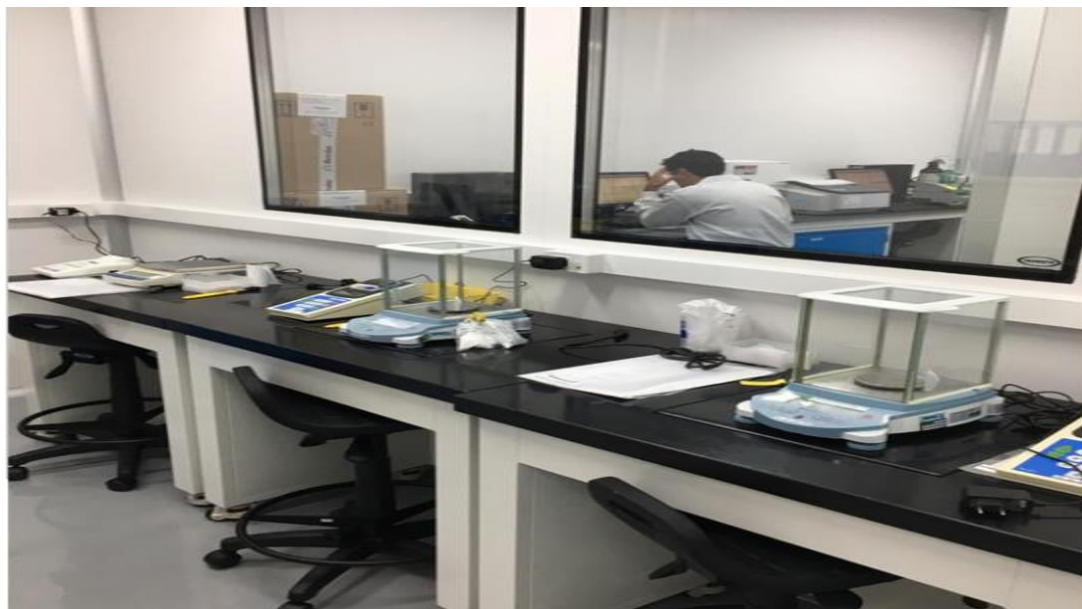
Email: [sultangroup.org@gmail.com](mailto:sultangroup.org@gmail.com)

Phone: 0333-5014403, 03070883080 (What's App)

Website: <https://sultangroup.org/sultangroup/home/en>

## Balance Table

### 16. Laboratory Balance Table



#### Specification:

Balance Table	
Working Height	850mm
Width(mm)	900mm/ 1200mm
Depths(mm)	600mm
Width of the Balance Slab(mm)	420mm
Depth of the Balance Slab(mm)	350mm





# F.A Traders<sup>®</sup>

"Scientific Solutions"



Sultan Group Pakistan<sup>®</sup>

FA Traders<sup>®</sup>

Headquarter Address: office # 38A, Tariq bin Ziad colony Ludden road, Vehari-61100, Punjab, Pakistan

Email: [sultangroup.org@gmail.com](mailto:sultangroup.org@gmail.com)

Phone: 0333-5014403, 03070883080 (What's App)

Website: <https://sultangroup.org/sultangroup/home/en>

## 17. Laboratory Balance table Anti-vibration Table



### SPECS

[Structure] Double tiers steel structure

[Laminate] with 1.2mm cold rolled steel board, Shanghai Bao steel. Pickling, phosphorylating treatment. Epoxy coating with high temperature treatment. Adjustable laminate which can load 250 pounds.

[Wheel] Medical Plastic Wheel.

[Standard size (mm)] 1.900\*600mm; 2. Customization.

[Material] Made of 1.0mm thick coll-rolled steel coated with epoxy resin powder.

[MOQ] 1 set

[Standard packing] Packed by cartoon & foam





# F.A Traders<sup>®</sup>

"Scientific Solutions"



Sultan Group Pakistan<sup>®</sup>

FA Traders<sup>®</sup>

Headquarter Address: office # 38A, Tariq bin Ziad colony Ludden road, Vehari-61100, Punjab, Pakistan

Email: [sultangroup.org@gmail.com](mailto:sultangroup.org@gmail.com)

Phone: 0333-5014403, 03070883080 (What's App)

Website: <https://sultangroup.org/sultangroup/home/en>

## Lab Stools

### 18.BETA Adjustable Strong Load Bearing Metal Lab Chairs



苏丹集团

JLTAN

سولطان

#### 1. Product Description

Product Name	Durable lab chair with 5-leg castors
Details	1.Stainless steel legs, Feet nails is made plastic cover
	2.Plastic top
	3.Adjustable height
Scratch resistant,acid and alkali proof	
Easier maintenance and cleaning	
*Rugged polyurethane round seat is self-skinning, chemical-resistant, and puncture-resistant, easily cleaned, and soil resistant(Design for lab).	
*Strong bearing capacity	







# F.A Traders<sup>®</sup>

"Scientific Solutions"



Sultan Group Pakistan<sup>®</sup>

FA Traders<sup>®</sup>

Headquarter Address: office # 38A, Tariq bin Ziad colony Ludden road, Vehari-61100, Punjab, Pakistan

Email: [sultangroup.org@gmail.com](mailto:sultangroup.org@gmail.com)

Phone: 0333-5014403, 03070883080 (What's App)

Website: <https://sultangroup.org/sultangroup/home/en>

## 19.Laboratory Furniture Type Metal Lab Stool



### Product Description

<b>Product Name</b>	Laboratory Furniture Type metal lab stool
<b>Details</b>	1.Stainless steel legs, Feet nails is made plastic cover
	2.Plastic top
	3.Adjustable height
Scratch resistant,acid and alkali proof	
Easier maintenance and cleaning	
*Rugged polyurethane round seat is self-skinning, chemical-resistant, and puncture-resistant, easily cleaned, and soil resistant(Design for lab).	
*Strong bearing capacity	





# F.A Traders<sup>®</sup>

"Scientific Solutions"



Sultan Group Pakistan<sup>®</sup>

FA Traders<sup>®</sup>

Headquarter Address: office # 38A, Tariq bin Ziad colony Ludden road, Vehari-61100, Punjab, Pakistan

Email: [sultangroup.org@gmail.com](mailto:sultangroup.org@gmail.com)

Phone: 0333-5014403, 03070883080 (What's App)

Website: <https://sultangroup.org/sultangroup/home/en>

## 20. Modern durable lab chair with 5-leg castors



苏丹集团  
SULTANI

### Product Description

<b>Product Name</b>	Durable lab chair with 5-leg castors
Details	1.Stainless steel legs, Feet nails is made plastic cover
	2.Plastic top
	3.Adjustable height
Scratch resistant, acid and alkali proof	
Easier maintenance and cleaning	
*Rugged polyurethane round seat is self-skinning, chemical-resistant, and puncture-resistant, easily cleaned	
*Strong bearing capacity	





# F.A Traders<sup>®</sup>

"Scientific Solutions"



Sultan Group Pakistan<sup>®</sup>

FA Traders<sup>®</sup>

Headquarter Address: office # 38A, Tariq bin Ziad colony Ludden road, Vehari-61100, Punjab, Pakistan

Email: [sultangroup.org@gmail.com](mailto:sultangroup.org@gmail.com)

Phone: 0333-5014403, 03070883080 (What's App)

Website: <https://sultangroup.org/sultangroup/home/en>

## 21. Durable polyurethane ESD laboratory chair



### Product Description

Product Name	<b>durable polyurethane ESD laboratory chair</b>
Details	1.Stainless steel legs, Feet nails is made plastic cover
	2.Plastic top
	3.Adjustable height
Scratch resistant,acid and alkali proof	
Easier maintenance and cleaning	
*Rugged polyurethane round seat is self-skinning, chemical-resistant, and puncture-resistant, easily cleaned, and soil resistant(Design for lab).	
*strong bearing capacity	







# F.A Traders<sup>®</sup>

"Scientific Solutions"



Sultan Group Pakistan<sup>®</sup>

FA Traders<sup>®</sup>

Headquarter Address: office # 38A, Tariq bin Ziad colony Ludden road, Vehari-61100, Punjab, Pakistan

Email: [sultangroup.org@gmail.com](mailto:sultangroup.org@gmail.com)

Phone: 0333-5014403, 03070883080 (What's App)

Website: <https://sultangroup.org/sultangroup/home/en>

## 22. Customized steel lab stools manufacturer



### Product Description

Product Name	Customized steel lab stools manufacturer
Construction Details	Customized: Color & Size Base legs: Aluminum or Plastic or Metal Castor: Movable or Set Electronic Static Discharge Seat height adjustment from 500-800 mm
Advantages	Easier Maintenance and Cleaning Simple and Pretty





# F.A Traders<sup>®</sup>

"Scientific Solutions"



Sultan Group Pakistan<sup>®</sup>

FA Traders<sup>®</sup>

Headquarter Address: office # 38A, Tariq bin Ziad colony Ludden road, Vehari-61100, Punjab, Pakistan

Email: [sultangroup.org@gmail.com](mailto:sultangroup.org@gmail.com)

Phone: 0333-5014403, 03070883080 (What's App)

Website: <https://sultangroup.org/sultangroup/home/en>

## 23. Height adjustable lab chairs with set castors



### Product Description

Product Name	Height adjustable lab chairs with set castors
Construction Details	Customized: Color & Size Base legs: Aluminum or Plastic or Metal Castor: Movable or Set Electronic Static Discharge Seat Height Adjustment from 500-800 mm
Advantages	Easier Maintenance and Cleaning Simple and Pretty





# F.A Traders<sup>®</sup>

"Scientific Solutions"



Sultan Group Pakistan<sup>®</sup>

FA Traders<sup>®</sup>

Headquarter Address: office # 38A, Tariq bin Ziad colony Ludden road, Vehari-61100, Punjab, Pakistan

Email: [sultangroup.org@gmail.com](mailto:sultangroup.org@gmail.com)

Phone: 0333-5014403, 03070883080 (What's App)

Website: <https://sultangroup.org/sultangroup/home/en>

## 24. Steel lab stools with wheels



### Product Description

Product Name	Steel lab Stools with wheels
Construction Details	Customized: Color & Size Base legs: Aluminum or Plastic or Metal Castor: Movable or Set Electronic Static Discharge Seat height adjustment from 500-800 mm
Advantages	Easier Maintenance and Cleaning Simple and Pretty







# F.A Traders<sup>®</sup>

"Scientific Solutions"



Sultan Group Pakistan<sup>®</sup>

FA Traders<sup>®</sup>

Headquarter Address: office # 38A, Tariq bin Ziad colony Ludden road, Vehari-61100, Punjab, Pakistan

Email: [sultangroup.org@gmail.com](mailto:sultangroup.org@gmail.com)

Phone: 0333-5014403, 03070883080 (What's App)

Website: <https://sultangroup.org/sultangroup/home/en>

## 25. Adjustable school lab stools supplier



### Product Description

Product Name	Adjustable school lab stools supplier
Construction Details	Customized: Color & Size Base legs: Aluminum or Plastic or Metal Castor: Movable or Set Electronic Static Discharge Seat Height Adjustment from 500-800 mm
Advantages	Easier Maintenance and Cleaning Simple and Pretty





# F.A Traders<sup>®</sup>

"Scientific Solutions"



Sultan Group Pakistan<sup>®</sup>

FA Traders<sup>®</sup>

Headquarter Address: office # 38A, Tariq bin Ziad colony Ludden road, Vehari-61100, Punjab, Pakistan

Email: sultangroup.org@gmail.com

Phone: 0333-5014403, 03070883080 (What's App)

Website: <https://sultangroup.org/sultangroup/home/en>

## 26. Beta Science Lab Stools with Backs and Footrest



### Product Description

Product Name	Lab Chair With Arms
Details	1.Stainless steel legs, Feet nails is made plastic cover ; feet with wheels
	2.Plastic or Stainless steel top
	3.Adjustable height
Scratch resistant,acid and alkali proof	
Easier maintenance and cleaning	
*Rugged polyurethane round seat is self-skinning, chemical-resistant, and puncture-resistant, easily cleaned, and soil resistant(Design for lab).	
*strong bearing capacity	





# F.A Traders<sup>®</sup>

"Scientific Solutions"



Sultan Group Pakistan<sup>®</sup>

FA Traders<sup>®</sup>

Headquarter Address: office # 38A, Tariq bin Ziad colony Ludden road, Vehari-61100, Punjab, Pakistan

Email: [sultangroup.org@gmail.com](mailto:sultangroup.org@gmail.com)

Phone: 0333-5014403, 03070883080 (What's App)

Website: <https://sultangroup.org/sultangroup/home/en>

## Fume Hoods

### 27. All steel walk in fume hood with gas



- 1200(W)\*850(D)\*2350(L) mm...:
- 1500(W)\*850(D)\*2350(L) mm...:
- 1800(W)\*850(D)\*2350 (L) m...:
- Product description:  
Steel laboratory fume hood made of 1.2mm thick galvanized steel coated with epoxy resin powder





## 28. Steel laboratory fume hood



- 1200(W)\*850(D)\*2350(L) mm...:
- 1500(W)\*850(D)\*2350(L) mm...:
- 1800(W)\*850(D)\*2350 (L) m...:
- Product description:  
Steel laboratory fume hood Made of 1.2mm thick galvanized steel coated with epoxy resin powder.

مجموعة سلطان





## 29. laboratory exhaust hood Fume Cupboard



- 1200(W)\*850(D)\*2350(L) mm...:
- 1500(W)\*850(D)\*2350(L) mm...:
- 1800(W)\*850(D)\*2350 (L) m...:

- Product description:

Laboratory exhaust hood Fume Hood Made of 1.2mm thick galvanized steel coated with epoxy resin powder....



# F.A Traders<sup>®</sup>

"Scientific Solutions"



Sultan Group Pakistan<sup>®</sup>

FA Traders<sup>®</sup>

Headquarter Address: office # 38A, Tariq bin Ziad colony Ludden road, Vehari-61100, Punjab, Pakistan

Email: [sultangroup.org@gmail.com](mailto:sultangroup.org@gmail.com)

Phone: 0333-5014403, 03070883080 (What's App)

Website: <https://sultangroup.org/sultangroup/home/en>

## 30.PP-Fume-Hood



- 1200(W)\*850(D)\*2350(L) mm...:
- 1500(W)\*850(D)\*2350(L) mm...:
- 1800(W)\*850(D)\*2350 (L) m...:

- Product description:

PP-Fume-Hood Made of 1.2mm thick galvanized steel coated with epoxy resin powder. Sash :6mm .





# F.A Traders<sup>®</sup>

"Scientific Solutions"



Sultan Group Pakistan<sup>®</sup>

FA Traders<sup>®</sup>

Headquarter Address: office # 38A, Tariq bin Ziad colony Ludden road, Vehari-61100, Punjab, Pakistan

Email: [sultangroup.org@gmail.com](mailto:sultangroup.org@gmail.com)

Phone: 0333-5014403, 03070883080 (What's App)

Website: <https://sultangroup.org/sultangroup/home/en>

## 31. Lab Chemistry Exhaust Fume Hood Manufacture



### SULTAN GROUP

- 1200(W)\*850(D)\*2350(L) mm:
- 1500(W)\*850(D)\*2350(L) mm:
- 1800(W)\*850(D)\*2350 (L) m...:
- Product description:  
Lab-Chemistry-Exhaust-Fume-Hood-Manufacture Made of 1.2mm thick galvanized steel coated with epox...





## 32. Chemical-Laboratory-Fume-Hood



- 1200(W)\*850(D)\*2350(L) mm...:
- 1500(W)\*850(D)\*2350(L) mm...:
- 1800(W)\*850(D)\*2350 (L) m...:
- Product description:  
Chemical Laboratory Fume Hood Sash: 6mm of tempered glass. Sash Handle: 2mm Cold-rolled steel





# F.A Traders<sup>®</sup>

"Scientific Solutions"



Sultan Group Pakistan<sup>®</sup>

FA Traders<sup>®</sup>

Headquarter Address: office # 38A, Tariq bin Ziad colony Ludden road, Vehari-61100, Punjab, Pakistan

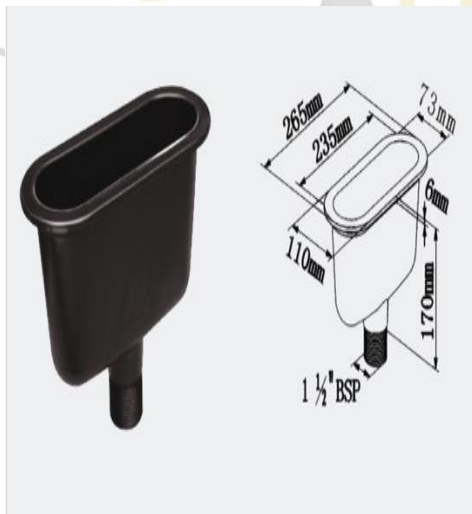
Email: [sultangroup.org@gmail.com](mailto:sultangroup.org@gmail.com)

Phone: 0333-5014403, 03070883080 (What's App)

Website: <https://sultangroup.org/sultangroup/home/en>

## Lab Fittings

### 33. High quality Lab fittings single way water faucet





# F.A Traders<sup>®</sup>

"Scientific Solutions"



Sultan Group Pakistan<sup>®</sup>

FA Traders<sup>®</sup>

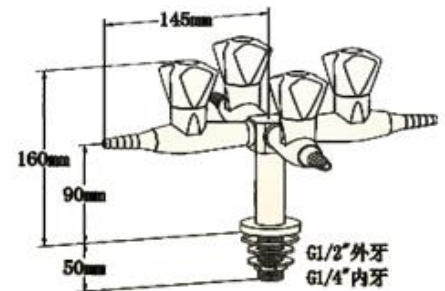
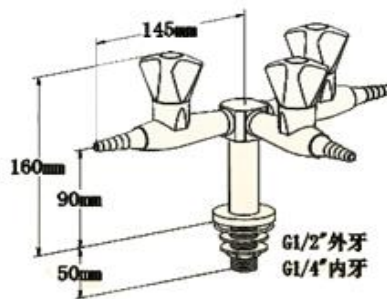
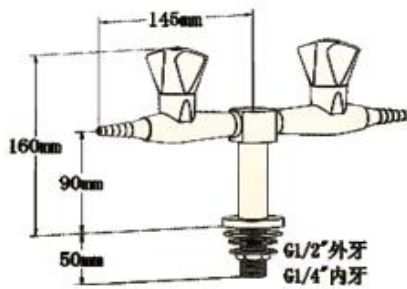
Headquarter Address: office # 38A, Tariq bin Ziad colony Ludden road, Vehari-61100, Punjab, Pakistan

Email: [sultangroup.org@gmail.com](mailto:sultangroup.org@gmail.com)

Phone: 0333-5014403, 03070883080 (What's App)

Website: <https://sultangroup.org/sultangroup/home/en>

## 34. Laboratory Gas Cock Laboratory Gas Valve Gas Pipe Fittings



SULTAN GROUP  
سولطان گروپ





# F.A Traders<sup>®</sup>

"Scientific Solutions"



Sultan Group Pakistan<sup>®</sup>

FA Traders<sup>®</sup>

Headquarter Address: office # 38A, Tariq bin Ziad colony Ludden road, Vehari-61100, Punjab, Pakistan

Email: [sultangroup.org@gmail.com](mailto:sultangroup.org@gmail.com)

Phone: 0333-5014403, 03070883080 (What's App)

Website: <https://sultangroup.org/sultangroup/home/en>



SULTAN GROUP  
مجموعة سلطان

مجموعة سلطان

Thanks!

